

SUGGESTED TOOLS AND MATERIALS



Philips Screwdriver



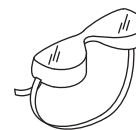
Level



Drill



Tape Measure



Safety Glasses

PARTS / HARDWARE INCLUDED



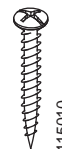
4x



4x



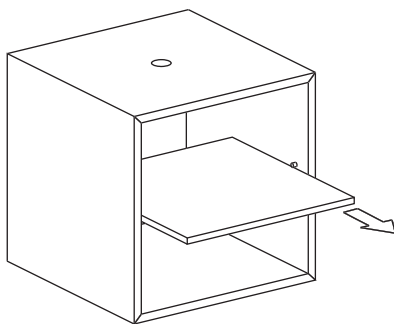
4x



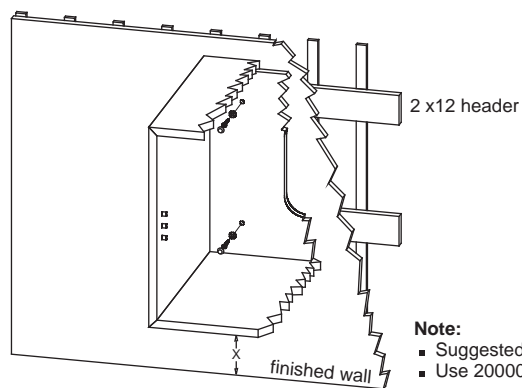
4x

VANITY INSTALLATION

1

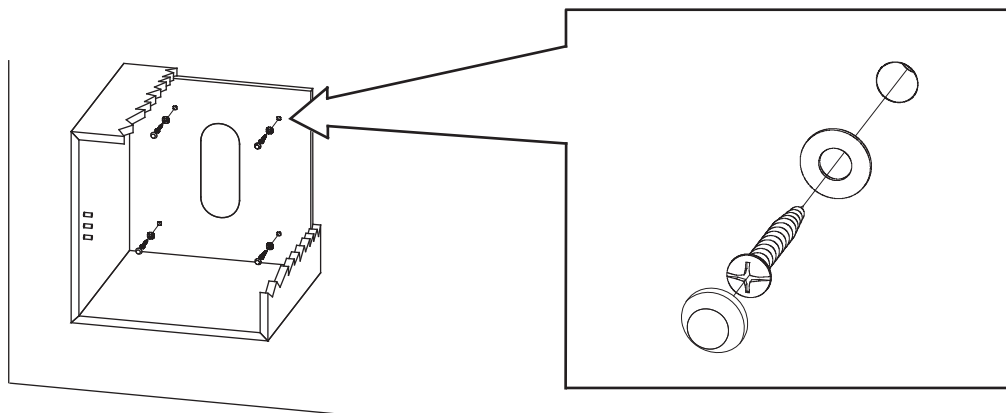


2a

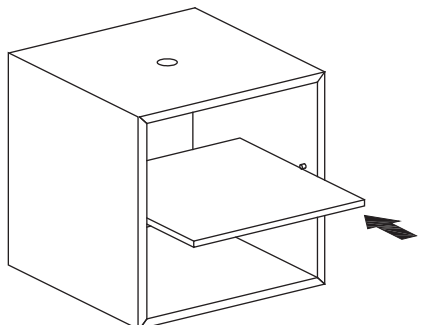


- Note:**
- Suggested X = 11.0"
 - Use 200001 for dry-wall

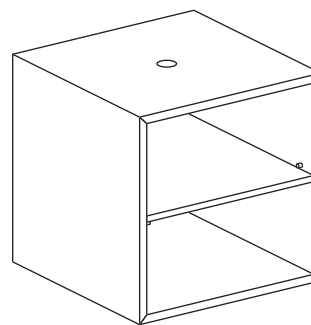
2b



3



4



MULTIPLE UNITS INSTALLATION (PAGE 2)

4

